

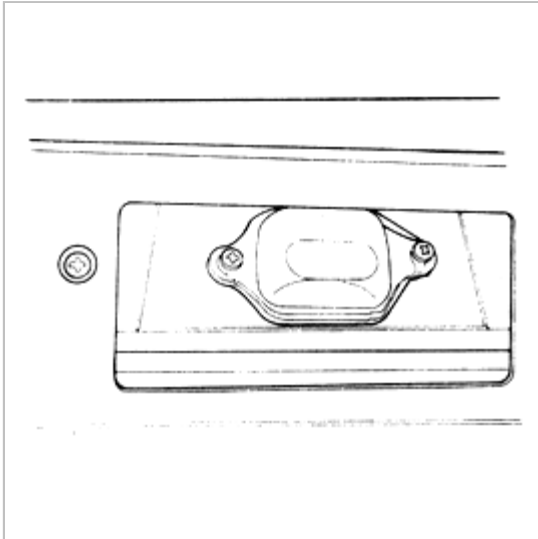
Sportage [AL] > 1997 > Engine > 2.0 DOHC



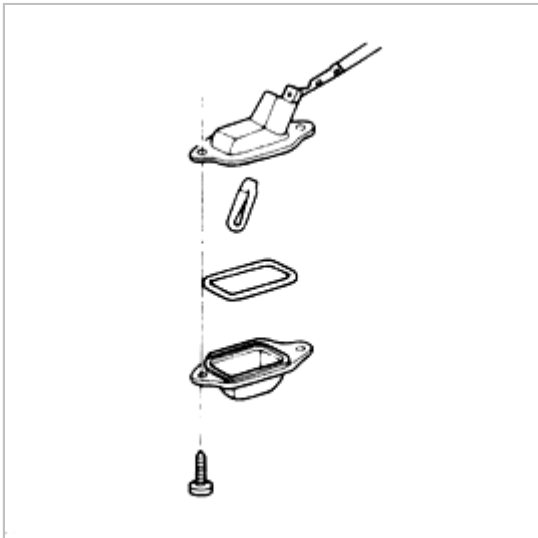
REPLACEMENT

License Plate Light Assembly Bulb

1. Remove two screws attaching lens.



2. Remove bulb.



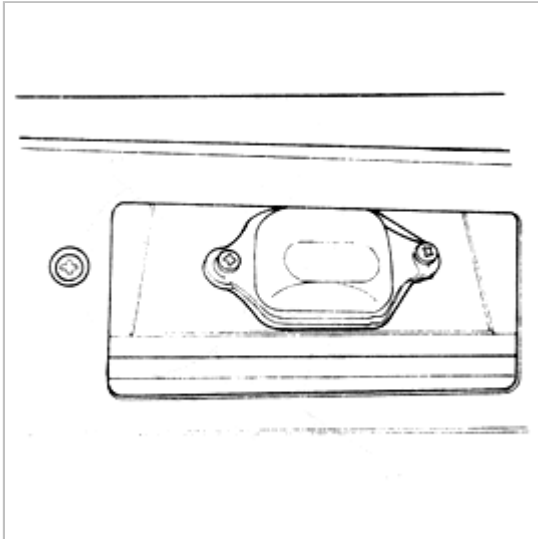
3. Install replacement bulb.
4. Install lens with two screws.

REMOVAL

License Plate Light Assembly Bulb

The bumper must be removed for access to the license plate assembly. Refer to "Bumpers" in this section.

1. Remove three screws attaching light assembly to bumper.

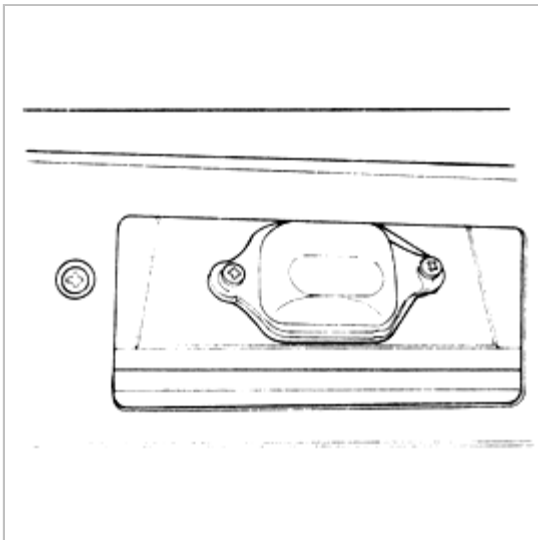


2. Disconnect electrical connector.
3. Remove license plate light assembly.

INSTALLATION

License Plate Light Assembly Bulb

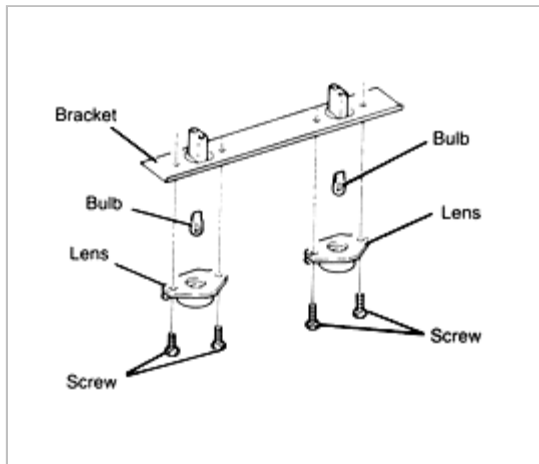
1. Connect electrical connector to the license plate light assembly.
2. Position light assembly on bumper and install three screws.



DISASSEMBLY

License Plate Light Assembly

1. Remove two screws attaching each lens; remove each lens from the bracket.

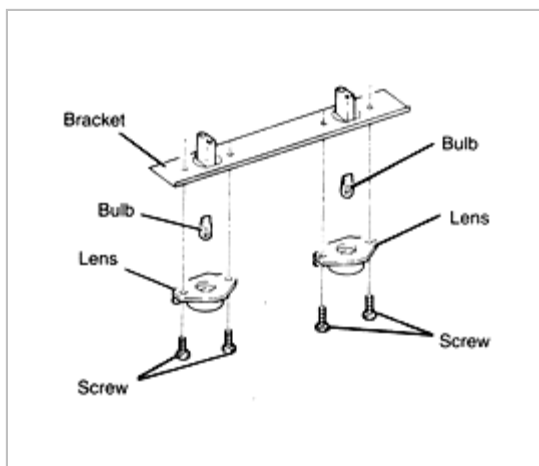


2. Remove bulbs.
3. Remove wiring harness from bracket.

REASSEMBLY

License Plate Light Assembly

1. Install wiring harness on bracket.



2. Install bulbs.
3. Install each lens with two screws.