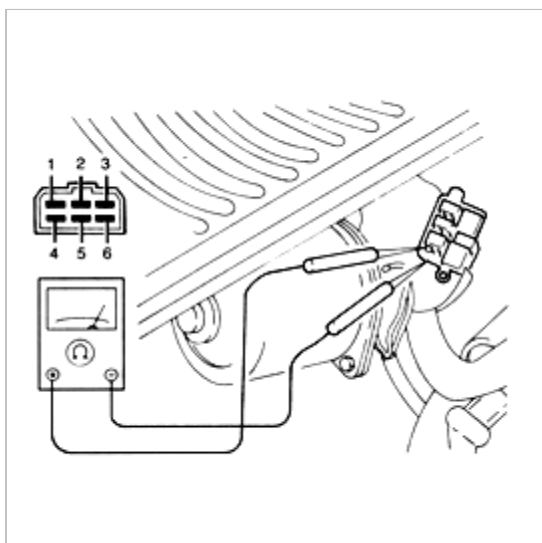




INSPECTION

1. Check for continuity between the terminals using an ohmmeter.

Connections	Continuity
2-3	O
2-4	O
2-5	X
2-6	O
3-4	O
3-5	X
3-6	O
4-5	X
4-6	O
5-6	X

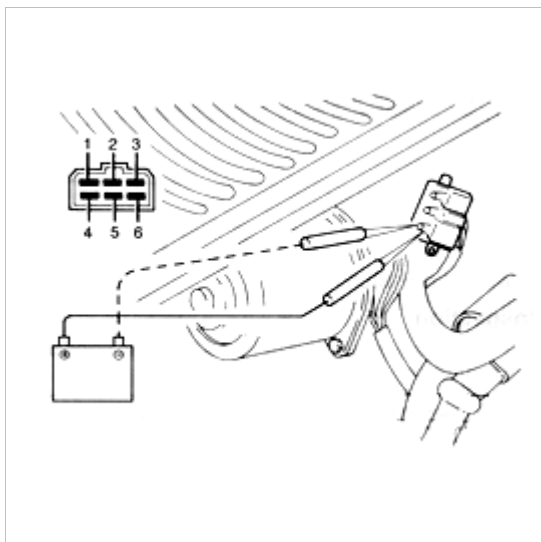


O : Indicates continuity.

X : Indicates open circuit

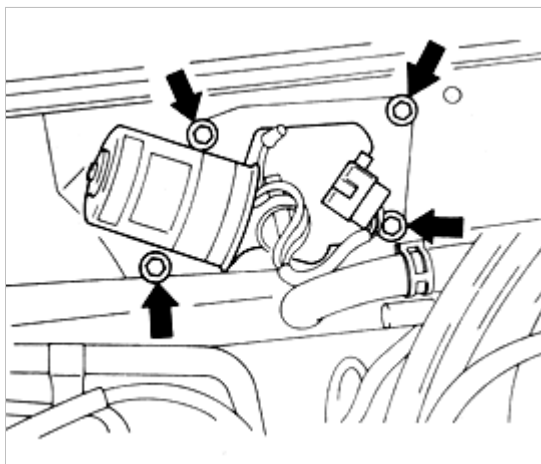
2. If continuity is not as specified, replace motor.
3. Check the motor's operation by connecting it to a 12V DC source.

Connected Position		
12V	Ground	Speed
terminal "3"	terminal "2".	low
terminal "3"	terminal "6"	high

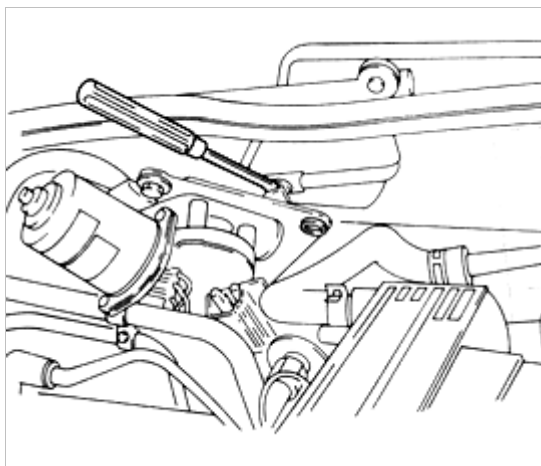


REMOVAL

1. Disconnect the negative battery cable.
2. Disconnect the wiper motor harness connector.
3. Remove the four wiper motor mounting bolts.



4. Separate the motor assembly from the wiper link assembly using a screwdriver.
5. Remove the wiper motor from the engine compartment.



INSTALLATION

1. Attach the wiper motor ball joint to the wiper link assembly.

2. Install and tighten the four wiper mounting bolts.

Tighten one bolt to 75 lb · in (8.5 N · m)

3. Connect the wiper motor harness connector.
4. Connect the negative battery cable.

