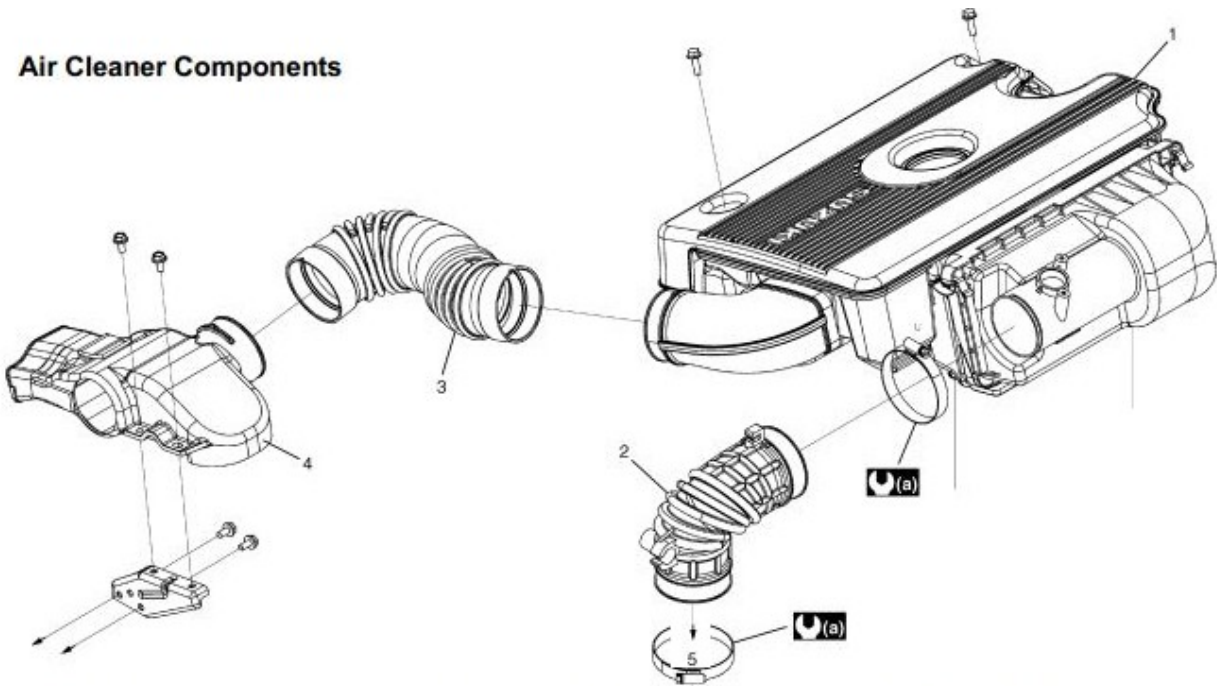


## Air Cleaner Components



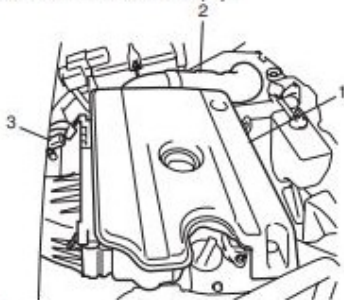
1. Air cleaner assembly	3. Air cleaner inlet hose	5. To electric throttle body
2. Air cleaner outlet hose	4. Air cleaner suction pipe	(a) : 3 N·m (0.3 kgf-m, 2.5 lb-ft)

## Air Cleaner Assembly Removal and Installation

S6RW0C1406002

### Removal

- 1) Remove air cleaner inlet hose (2) and outlet hose.
- 2) Disconnect MAF sensor connector (3).
- 3) Remove air cleaner case (1).



### Installation

- 1) Install air cleaner case (1).
- 2) Connect MAF sensor connector (3), and tighten hose clamp to specified torque.

#### Tightening torque

**Air cleaner outlet hose clamp: 3 N·m (0.3 kgf-m, 2.5 lb-ft)**

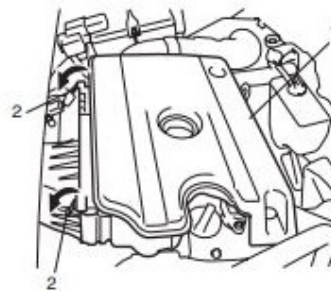
- 3) Install air cleaner inlet hose (2) and outlet hose.

## Air Cleaner Filter Removal and Installation

S6RW0C1406003

### Removal

- 1) Open air cleaner case (1) by unhooking its clamps (2).
- 2) Remove air cleaner filter.



I7RW01140020-01

### Installation

Reverse removal procedure for installation.

pdfMachine

**A pdf writer that produces quality PDF files with ease!**

Produce quality PDF files in seconds and preserve the integrity of your original documents. Compatible across nearly all Windows platforms, simply open the document you want to convert, click "print", select the "Broadgun pdfMachine printer" and that's it! Get yours now!