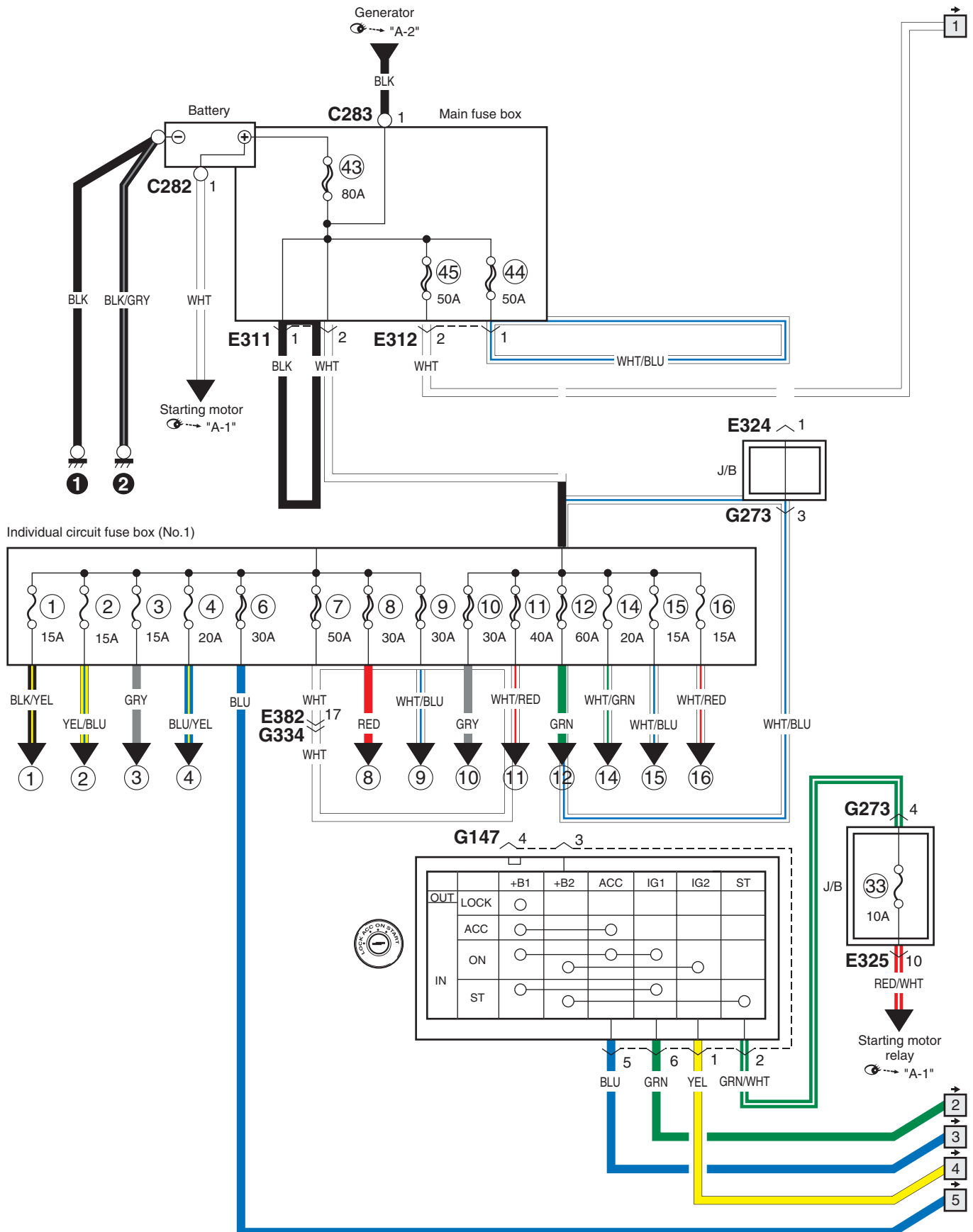


Power Supply Diagram

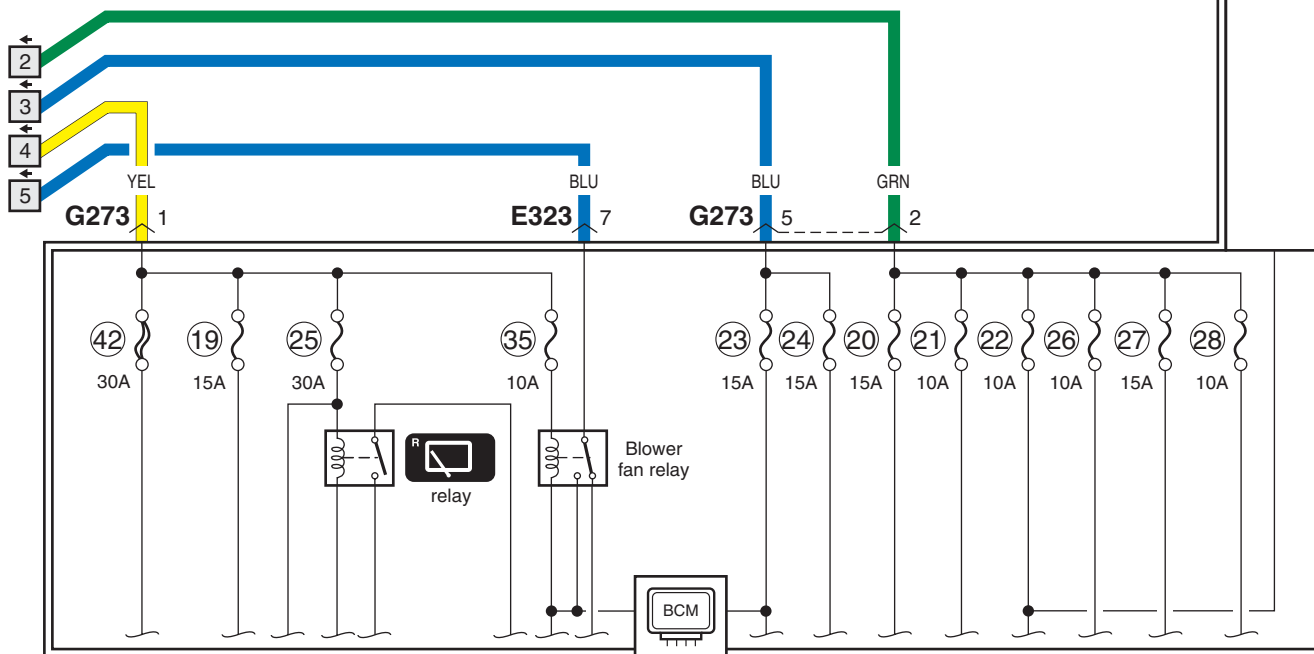
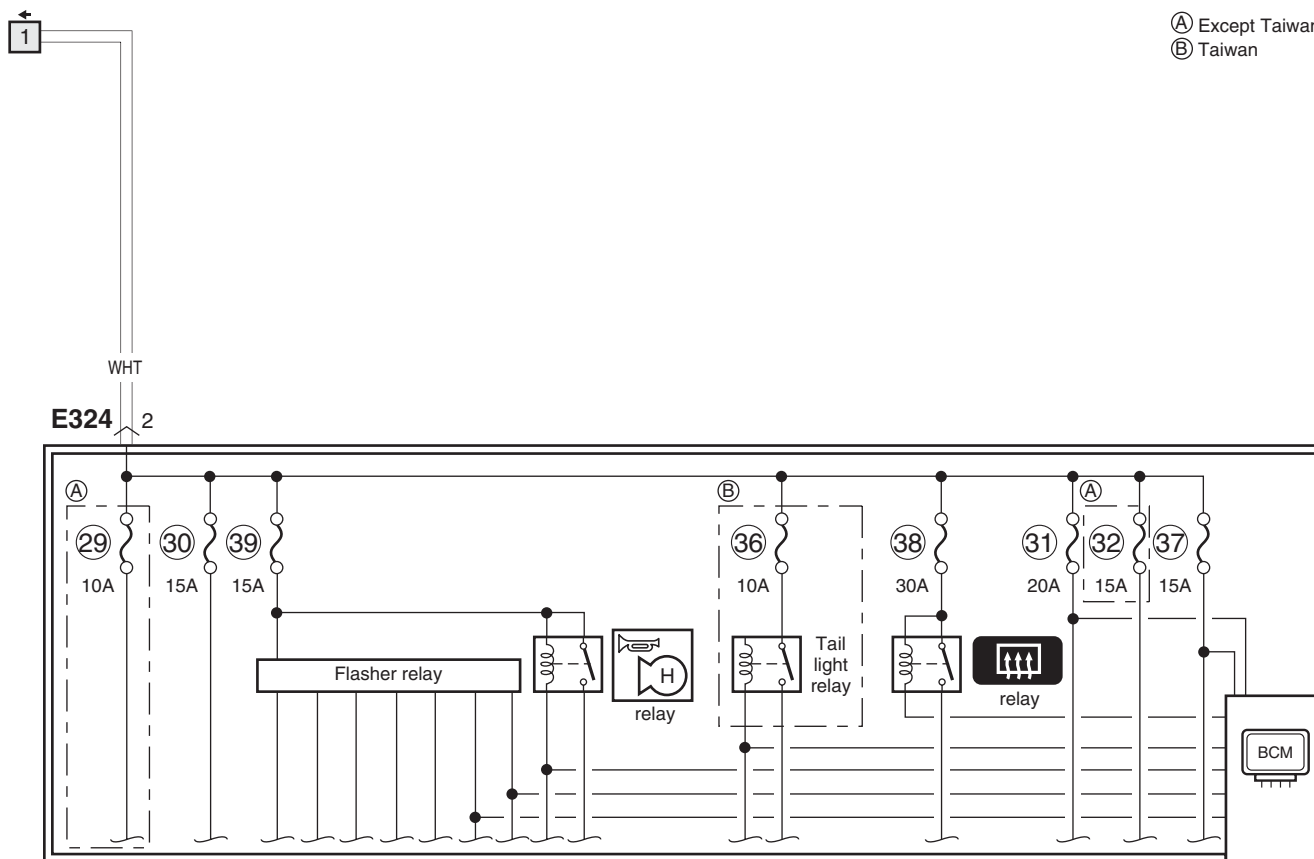
Power Supply Diagram

S6RW0C910D001



16RW0C910918-03

(A) Except Taiwan
 (B) Taiwan



J/B

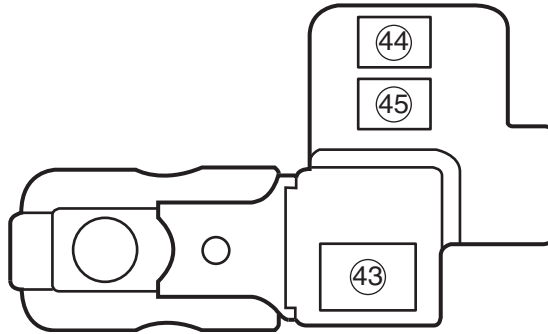
Fuses and the Protected Parts

S6RW0C910D002

The chart below describes what parts each fuse protects.

Fuses in Main Fuse Box

S6RW0C910D003



17RW01910910-01

No.	Fuse	Protected circuit
④③	80 A	All electric circuit Battery Generator
④④	50 A	J/B
④⑤	50 A	J/B