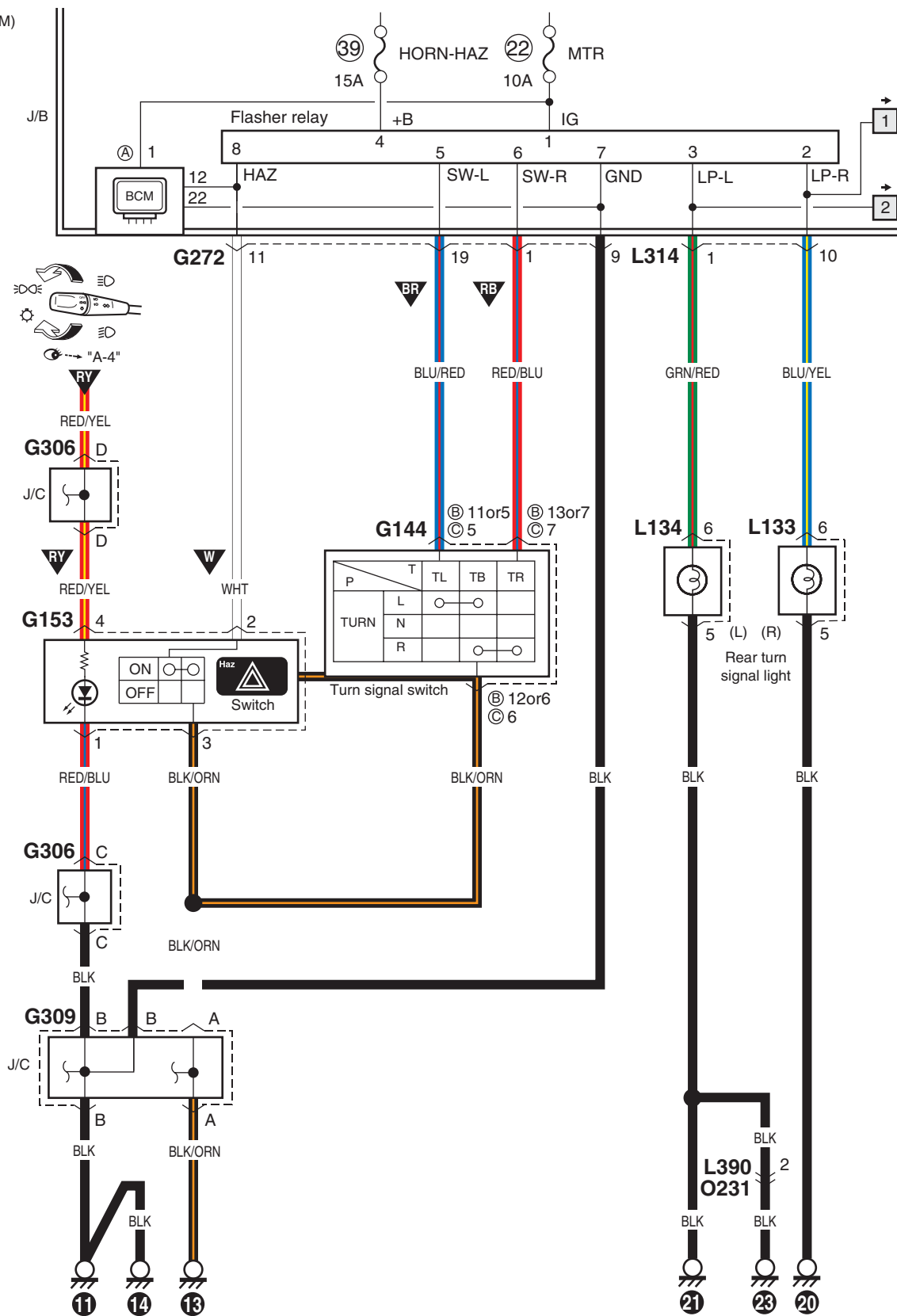
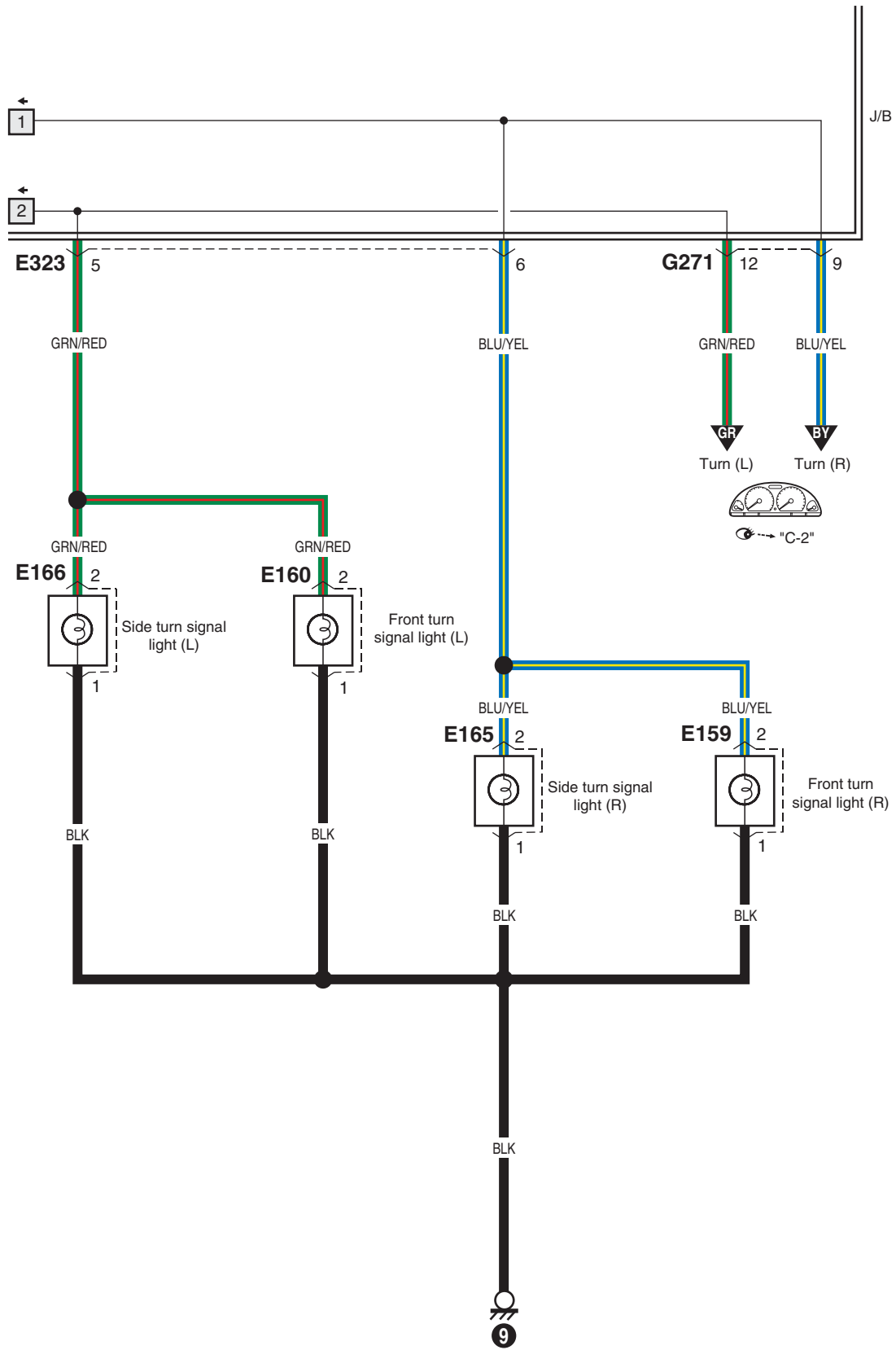


D-6 Turn Signal and Hazard Warning Light System Circuit Diagram (Except Taiwan)

S6RW0C910E055

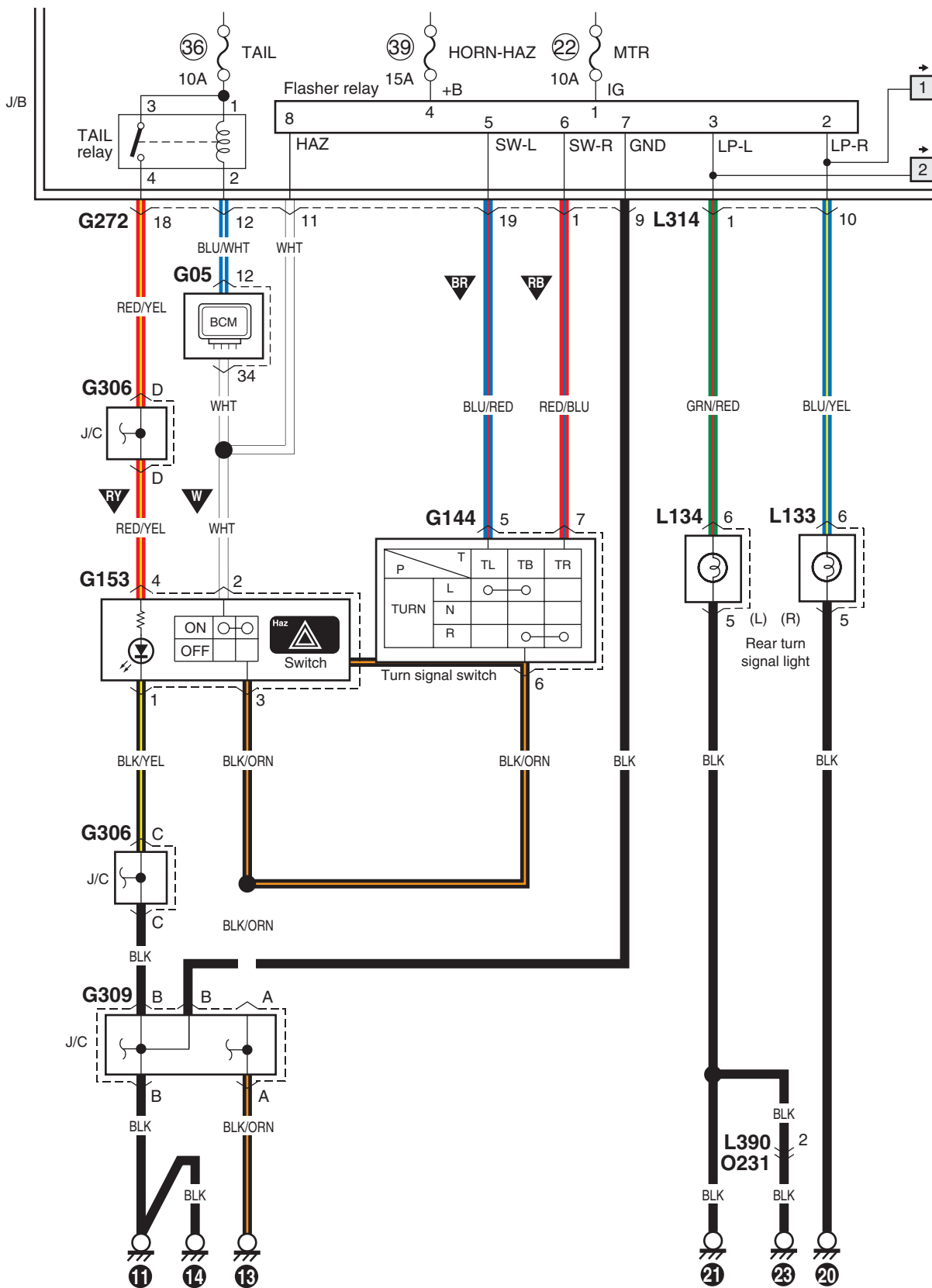
- Ⓐ J/B side connector (BCM)
- Ⓑ RHD
- Ⓒ LHD

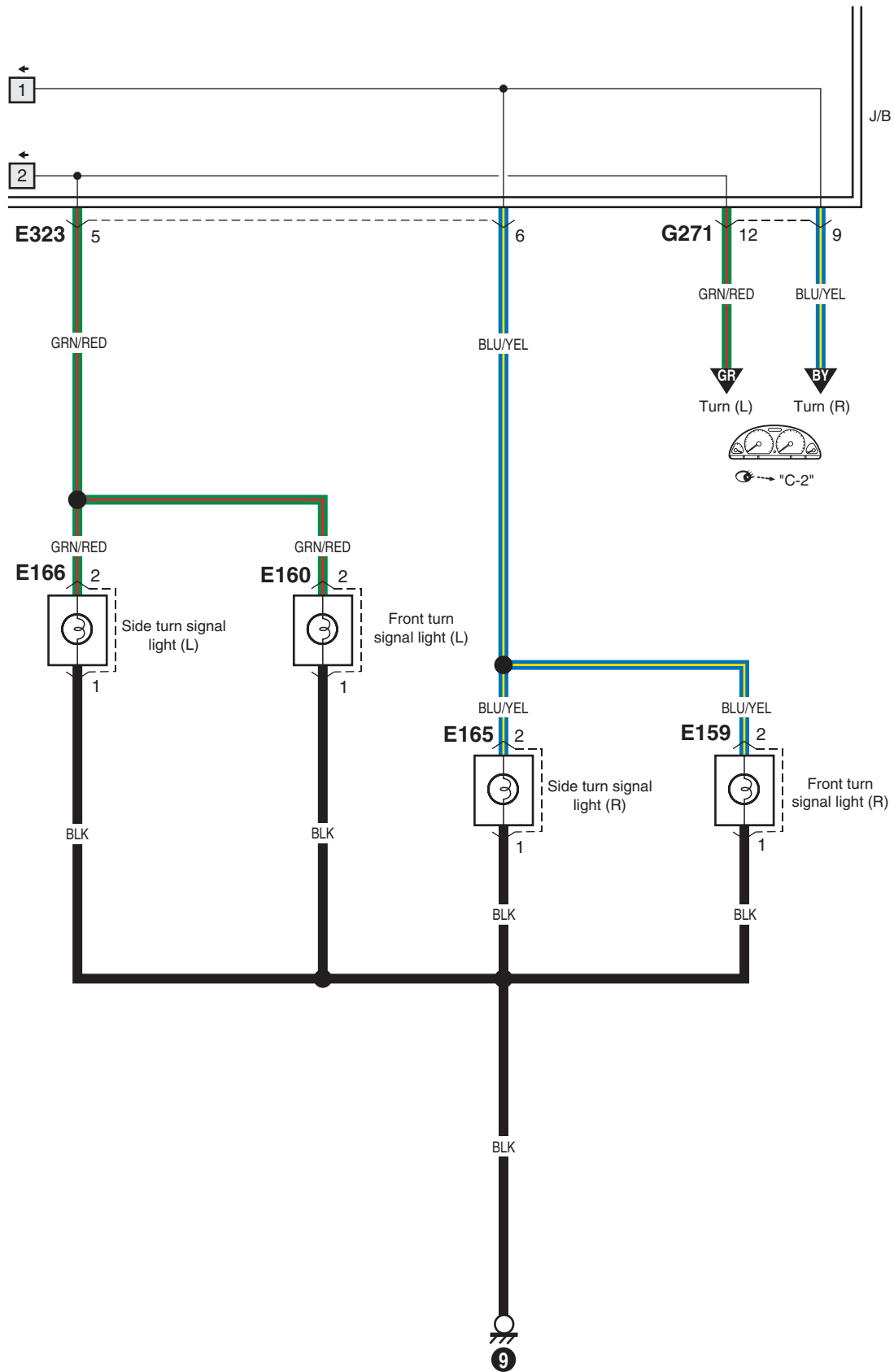




D-6 Turn Signal and Hazard Warning Light System Circuit Diagram (Taiwan)

S6RW0C910E027





D-7 Brake Light System Circuit Diagram

S6RWOC910E028

