

### Center Ventilation Louver Removal and Installation

S6RW0C7106014

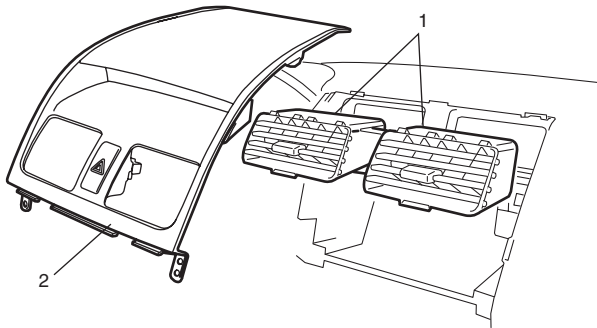
#### Removal

- 1) Disconnect negative (-) cable from battery.
- 2) Remove audio unit from instrument panel referring to "Audio Unit Removal and Installation (If Equipped) in Section 9C".
- 3) Remove center ventilation louver (1) with garnish (2) from instrument panel, and then disconnect connector from hazard switch.

#### NOTE

**Garnish is fitted to instrument panel with six clips. When removing garnish from instrument panel, be careful not to break them.**

- 4) Separate center ventilation louver and garnish.



I5RW0A710008-01

#### Installation

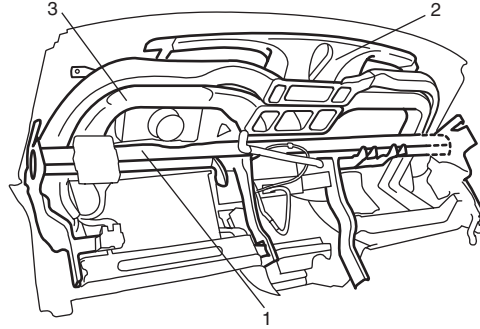
Reverse removal procedure.

### Side Ventilation Louver Removal and Installation

S6RW0C7106015

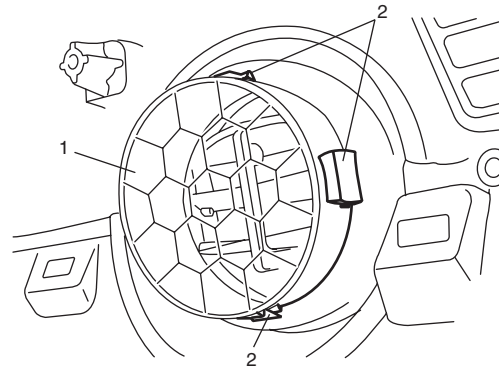
#### Removal

- 1) Remove instrument panel from vehicle body referring to "Instrument Panel Removal and Installation in Section 9C"
- 2) Remove steering support member (1), defroster nozzle (2) and ventilator duct (3) from instrument panel.



I5RW0A710009-01

- 3) Remove side ventilation louver (1) from instrument panel while pressing clips (2).

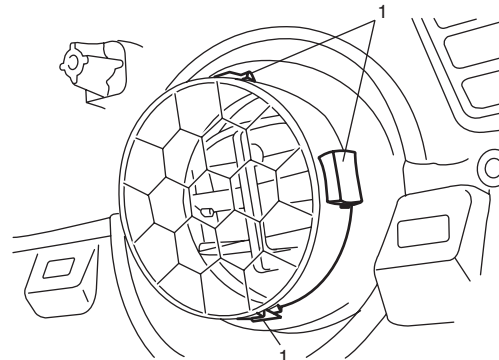


I5RW0A710010-01

#### Installation

Reverse removal procedure noting the following instruction.

- Side ventilation louver is fitted to instrument panel with four clips (1). When installing side ventilation louver to instrument panel, position the smallest clip to the top.



I5RW0A710011-01