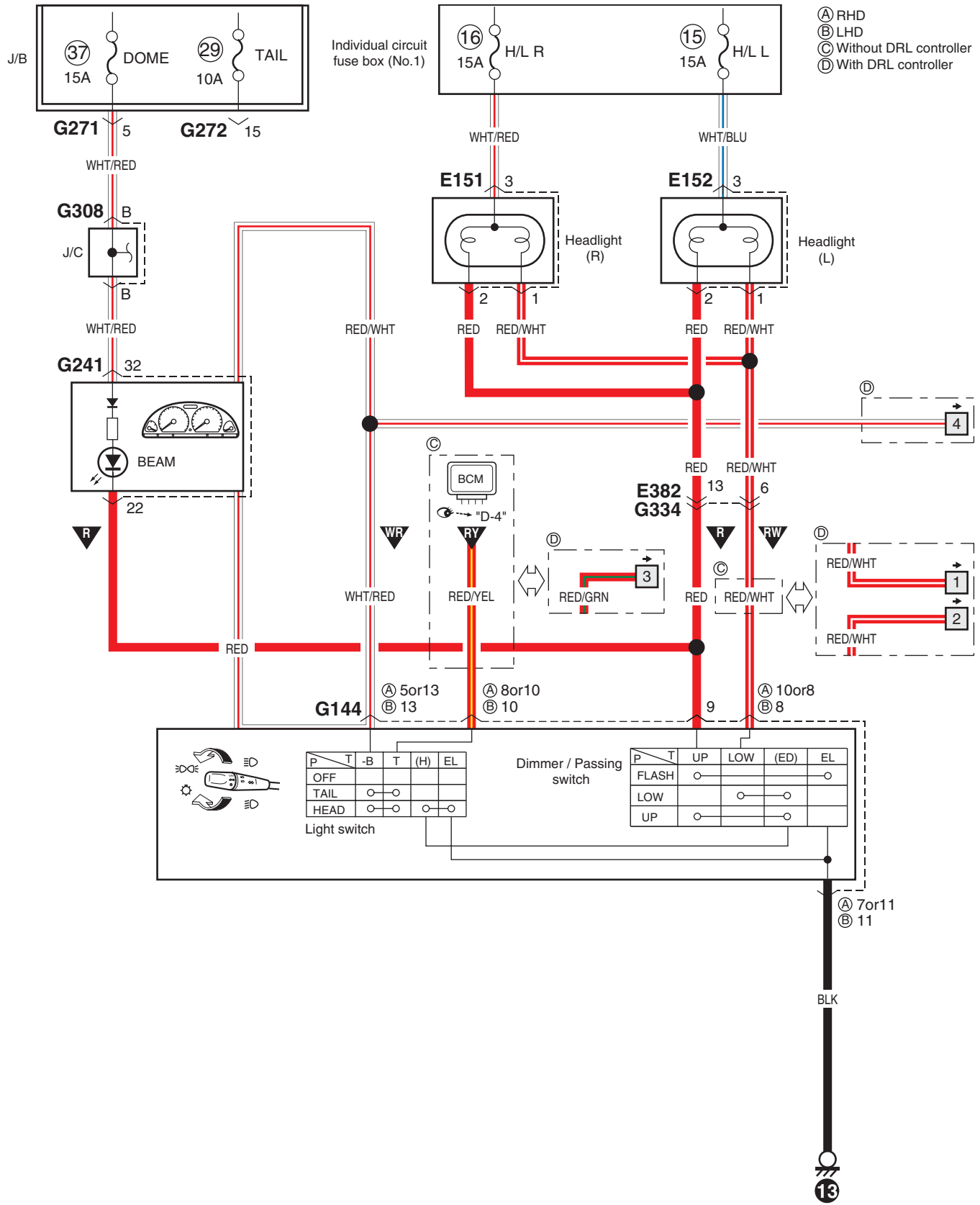


D-1 Headlight System Circuit Diagram (Except Taiwan)

S6RW0C910E049



With DRL controller

