

# Heater and Ventilation

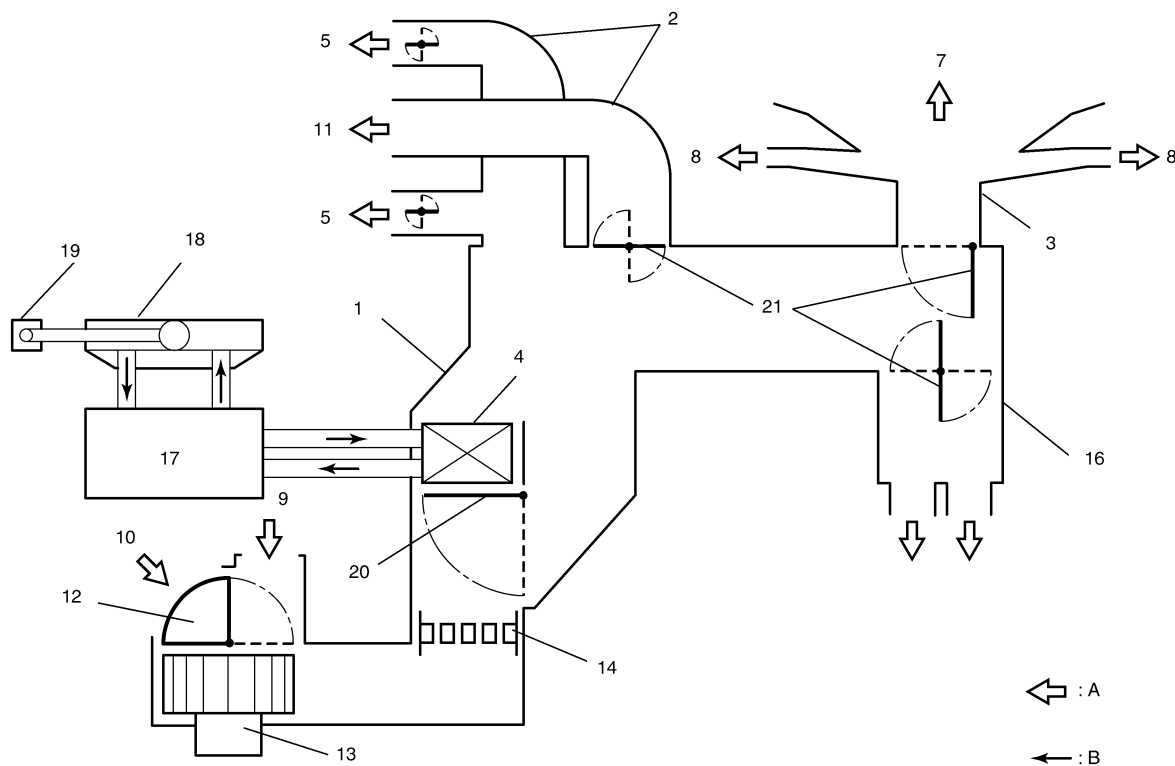
## General Description

### Heater and Ventilation Construction

S6RW0C7101001

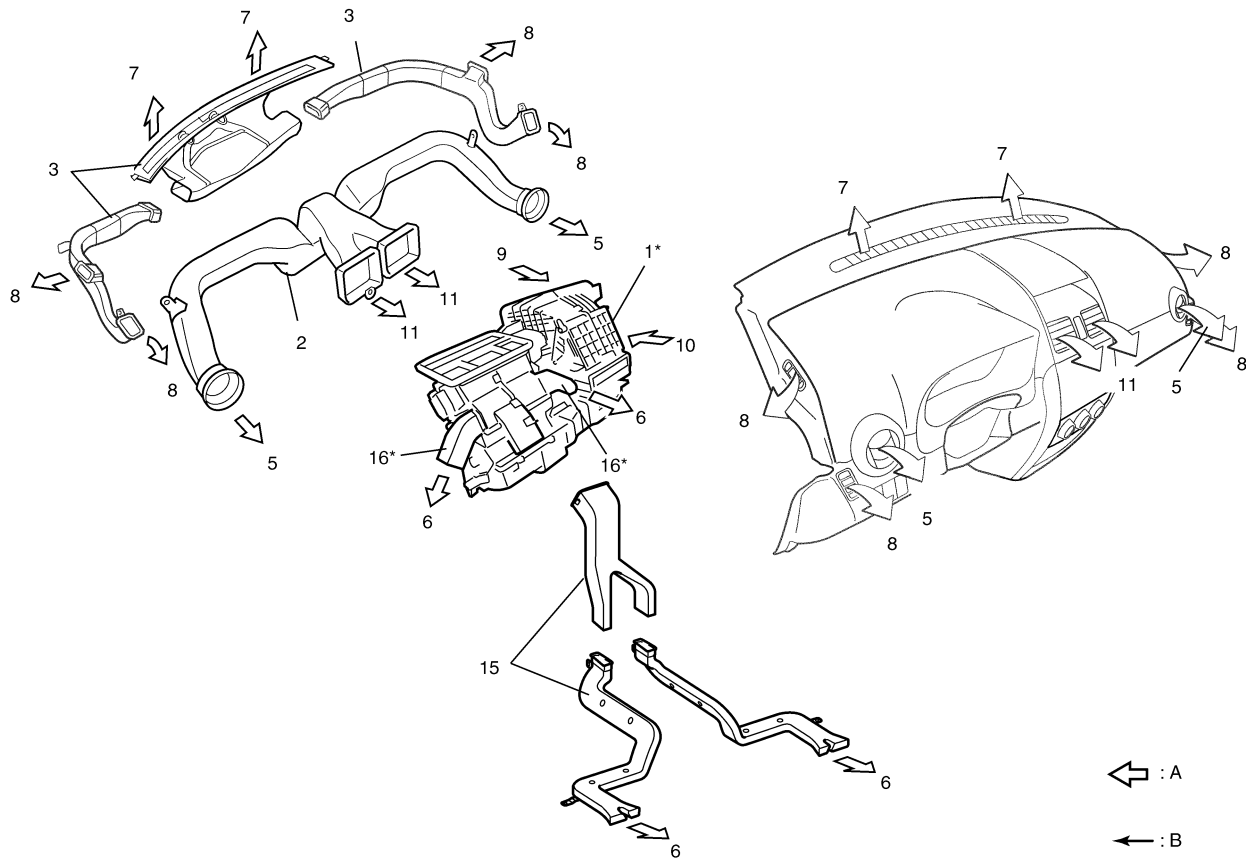
#### NOTE

The figure shows left-hand steering vehicle. For right-hand steering vehicle, parts with (\*) are installed at the opposite side.



I6RW0C710001-02

**7A-2 Heater and Ventilation:**



↔ : A  
 ← : B

I6RW0C710011-01

A: Air flow	7. Defroster air	15. Rear duct (if equipped)
B: Water flow	8. Demister air	16. Foot duct
1. HVAC unit	9. Fresh air	17. Engine
2. Ventilator duct	10. Recirculation air	18. Radiator
3. Defroster duct and demister duct	11. Center ventilation air	19. Reservoir
4. Heater core	12. Air intake door	20. Temperature control door
5. Side ventilation air	13. Blower motor	21. Air flow control door
6. Foot air	14. Resistance board (non-A/C) or evaporator (A/C)	