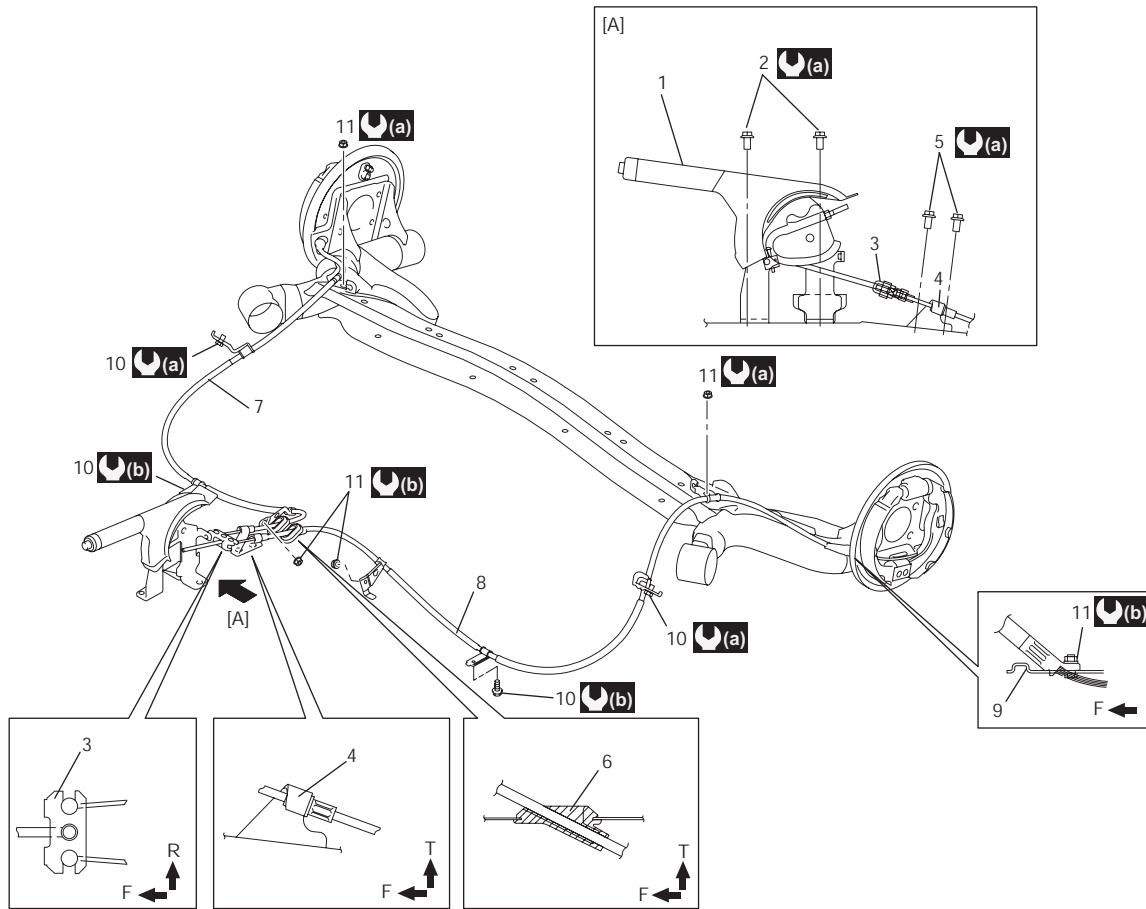


Parking Brake

General Description

Parking Brake Cable Construction

S6RW0D4401001



I6RW0D440001-01

T: Top side	3. Equalizer	8. Parking brake cable left	(a) : 26 N·m (2.6 kgf·m, 19.0 lb-ft)
F: Front side	4. Parking cable bracket	9. Brake back plate	(b) : 11 N·m (1.1 kgf·m, 8.0 lb-ft)
R: Right side	5. Parking cable bracket bolt	10. Parking cable clamp bolt	
1. Parking brake lever assembly	6. Grommet	11. Parking cable clamp nut	
2. Parking brake lever bolt	7. Parking brake cable right	[A]: View [A]	

Repair Instructions

Parking Brake Inspection and Adjustment

S6RW0D4406001

Inspection

Hold center of parking brake lever grip and pull it up with 200 N (20 kg, 44 lbs) force.

With parking brake lever pulled up as shown, count ratchet notches. There should be 4 – 9 notches.

Also, check if both right and left rear wheels are locked firmly.

To count number of notches easily, listen to click sounds that ratchet makes while pulling parking brake lever without pressing its button.

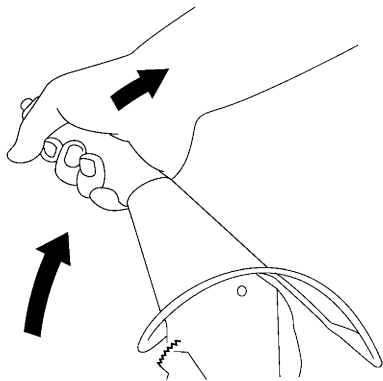
One click sound corresponds to one notch.

If number of notches is out of specification, adjust cable referring to adjustment procedure so as to obtain specified parking brake stroke.

NOTE

Check tooth tip of each notch for damage or wear.

If any damage or wear is found, replace parking brake lever.



I4RS0B440002-01

Adjustment

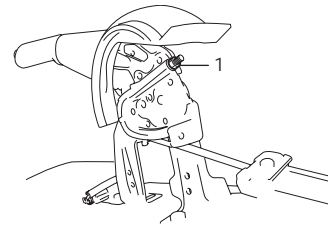
NOTE

Make sure for the following conditions before cable adjustment.

- No air is trapped in brake system.
- Brake pedal travel is proper.
- Start engine and then brake pedal has been depressed at least 3 times with about 300 N (30 kg, 66 lbs) load.
- Parking brake lever has been pulled up a few times with about 200 N (20 kg, 44 lbs) load.

If parking brake cable is replaced with new one, pull up parking brake lever a few times with about 500 N·m (50 kg, 110 lbs) force.

After confirming that the conditions are all satisfied, adjust parking brake lever stroke by loosening or tightening adjust nut (1).



I6RW0C440002-01

NOTE

Check brake drum for dragging after adjustment.

Parking brake stroke

When lever is pulled up at 200 N (20 kg, 44 lbs): 4 to 9 notches

Parking Brake Cable Removal and Installation

S6RW0D4406002

Removal

NOTE

When it is necessary to remove both right and left parking brake cables, repeat below steps 2) and 6) on right and left wheels.

- 1) Hoist vehicle.
- 2) Remove wheel.
- 3) Disconnect parking brake cable from equalizer (parking brake lever) and clamps.
- 4) Remove brake drum. Refer to "Rear Brake Drum Removal and Installation in Section 4C".
- 5) Disconnect parking brake cable from brake shoe lever referring to "Rear Brake Shoe Removal and Installation in Section 4C".
- 6) Remove parking brake cable and parking cable bracket.

Installation

Install it by reversing removal procedure, noting the following points.

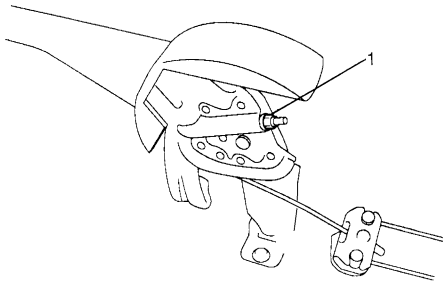
- Install clamps properly referring to "Parking Brake Cable Construction".
- Tighten bolts and nuts to specified torque referring to "Parking Brake Cable Construction".
- Adjust parking brake cable. Refer to "Parking Brake Inspection and Adjustment".
- Check brake drum for dragging and brake system for proper performance. Brake test should be performed.

Parking Brake Lever Removal and Installation

S6RW0D4406003

Removal

- 1) Remove console box.
- 2) Block vehicle wheels and release parking brake lever.
- 3) Disconnect lead wire of parking brake switch at coupler.
- 4) Loosen parking brake cable adjusting nut (1).

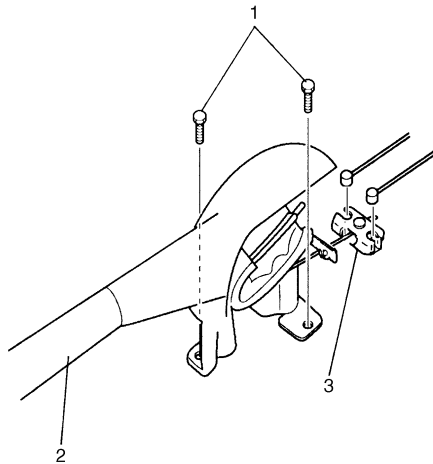


I4RS0A440004-01

- 5) Remove parking brake lever bolts (1) and then remove parking brake lever assembly (2) with equalizer (3).

NOTE

Don't disassemble parking brake lever switch. It must be removed and installed as a complete switch assembly.



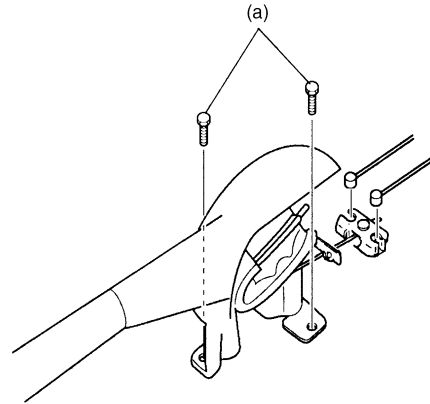
I5RW0A440002-01

Installation

- 1) Install in reverse order of removal procedure.
Check equalizer inclined angle.

Tightening torque

Parking brake lever bolt (a): 26 N·m (2.6 kgf-m, 19.0 lb-ft)



I5RW0A440003-01

- 2) After all parts are installed, parking brake lever needs to be adjusted. Refer to "Parking Brake Inspection and Adjustment".
- 3) Check brake drum for dragging and brake system for proper performance. After removing vehicle from hoist, brake test should be performed.

Specifications

Tightening Torque Specifications

S6RW0D4407001

Fastening part	Tightening torque			Note
	N·m	kgf·m	lb·ft	
Parking brake lever bolt	26	2.6	19.0	Ⓒ

NOTE

The specified tightening torque is also described in the following.
“Parking Brake Cable Construction”

Reference:

For the tightening torque of fastener not specified in this section, refer to “Fasteners Information in Section 0A”.