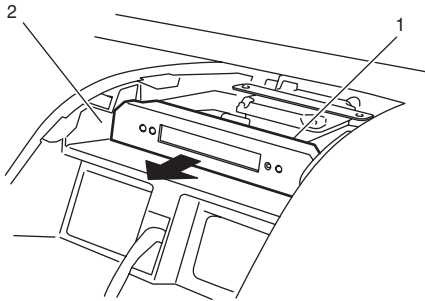


- 3) Remove information display (clock) (1) from instrument panel (2) pulling it in arrow direction shown in figure.
- 4) Disconnect information display coupler.



I5RW0A930019-01

Installation

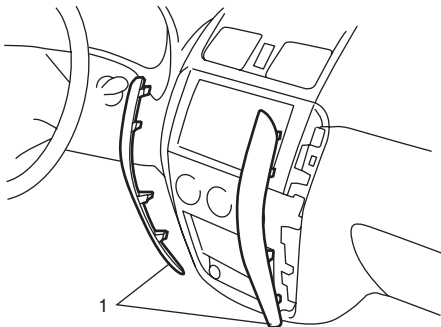
Reverse removal procedure.

Audio Unit Removal and Installation (If Equipped)

S6RW0C9306017

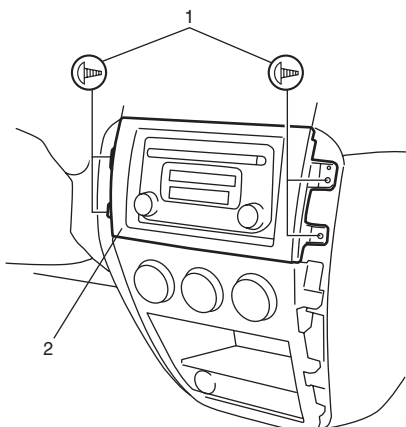
Removal

- 1) Disconnect negative (-) cable at battery.
- 2) Remove instrument panel center garnish trims (1).



I5RW0A930020-03

- 3) Remove 4 mounting screws (1).
- 4) Disconnect electrical connectors from audio unit.
- 5) Remove audio unit (2) from instrument panel.



I5RW0A930021-01

Installation

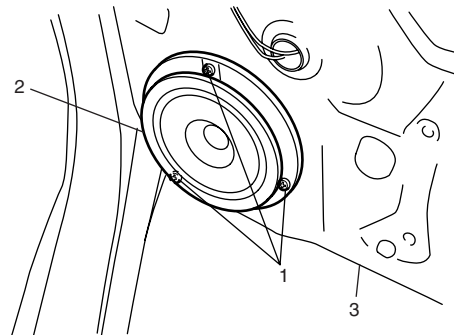
Reverse removal procedure.

Front Speaker Removal and Installation (If Equipped)

S6RW0C9306018

Removal

- 1) Remove front door trim referring to Step 1) to 3) of "Front Door Glass Removal and Installation in Section 9E".
- 2) Remove 3 front speaker mounting screws (1).
- 3) Remove front speaker (2) from front door panel (3).
- 4) Disconnect front speaker coupler from front speaker (2).



I4RS0A930027-01

Installation

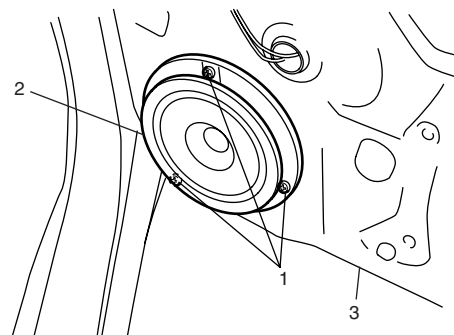
Reverse removal procedure.

Rear Speaker Removal and Installation (If Equipped)

S6RW0C9306019

Removal

- 1) Remove rear door trim referring to Step 1) to 3) of "Rear Door Glass Removal and Installation in Section 9E".
- 2) Remove 3 rear speaker mounting screws (1).
- 3) Remove rear speaker (2) from rear door panel (3).
- 4) Disconnect rear speaker coupler from rear speaker (2).



I4RS0A930027-01

Installation

Reverse removal procedure.