

## Repair Instructions

### Spark Plug Removal and Installation

S6RW0C1806001

#### Removal

- 1) Remove ignition coil assemblies referring to "Ignition Coil Assembly (Including ignitor) Removal and Installation".
- 2) Remove spark plugs.

#### Installation

- 1) Install spark plugs and tighten them to specified torque.

#### Tightening torque

**Spark plug: 25 N·m (2.5 kgf-m, 18.0 lb-ft)**

- 2) Install ignition coil assemblies referring to "Ignition Coil Assembly (Including ignitor) Removal and Installation".

### Spark Plug Inspection

S6RW0C1806002

Inspect spark plug for the following:

- Electrode wear
- Carbon deposits
- Insulator damage

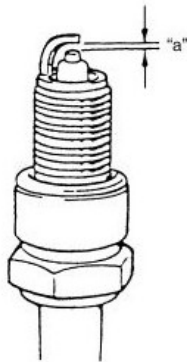
If any abnormality is found, adjust air gap, clean with spark plug cleaner or replace them with specified new plugs.

#### Spark plug air gap "a"

: 1.0 – 1.1 mm (0.040 – 0.043 in.)

#### Spark plug type

**NGK: BKR6E-11 (Nickel)**



IYSQ01181012-01

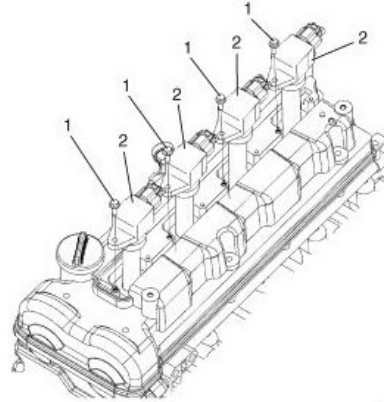
### Ignition Coil Assembly (Including ignitor) Removal and Installation

S6RW0C1806003

#### Removal

- 1) Disconnect negative cable at battery.
- 2) Remove air cleaner case referring to "Air Cleaner Assembly Removal and Installation in Section 1D".
- 3) Disconnect ignition coil coupler.

- 4) Remove ignition coil bolts (1), and then pull out ignition coil assembly (2).



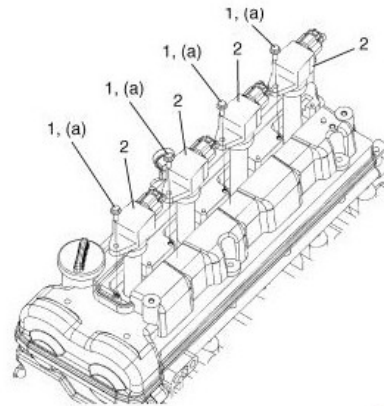
I7RW01180004-01

#### Installation

- 1) Install ignition coil assembly (2).
- 2) Tighten ignition coil bolts (1) to specified torque, and then connect ignition coil coupler.

#### Tightening torque

**Ignition coil bolt (a): 6.5 N·m (0.65 kgf-m, 5.0 lb-ft)**



I7RW01180005-01

- 3) Install air cleaner case referring to "Air Cleaner Assembly Removal and Installation in Section 1D".
- 4) Connect negative cable to battery.

### Ignition Coil Assembly (Including ignitor) Inspection

S6RW0C1806004

Check ignition coil assembly for the following:

- Damage
- Deterioration
- Terminal for corrosion

If any abnormality is found, replace ignition coil assembly.

pdfMachine - is a pdf writer that produces quality PDF files with ease!

Get yours now!

"Thank you very much! I can use Acrobat Distiller or the Acrobat PDFWriter but I consider your product a lot easier to use and much preferable to Adobe's" A.Sarras - USA