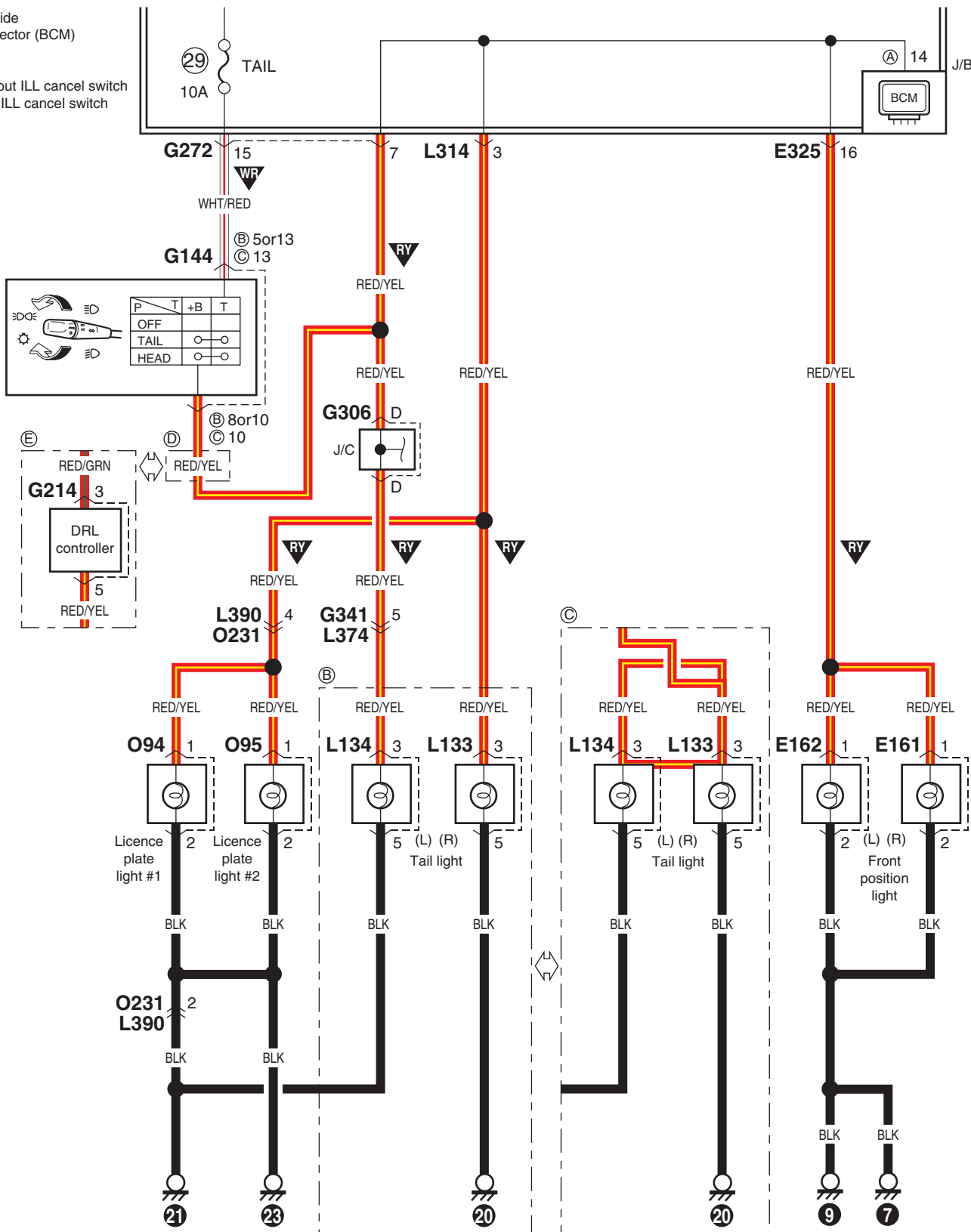


D-2 Position, Tail and Licence Plate Light System Circuit Diagram (Except Taiwan)

S6RW0C910E051

- (A) J/B side connector (BCM)
- (B) RHD
- (C) LHD
- (D) Without ILL cancel switch
- (E) With ILL cancel switch



I6RW0D910918-01