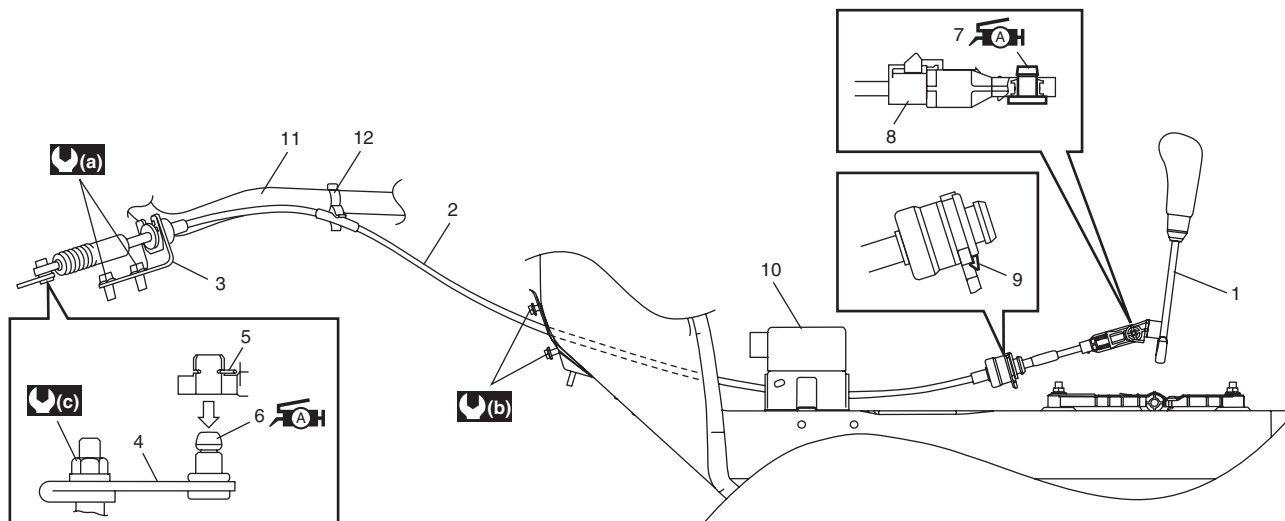


Select Cable Components

S6RW0C5106010



I7RW01510034-01

1. Select lever assembly	6. Manual select lever pin : Apply lithium grease 99000-25010 to all around pin (0.15 g)	11. Heater inlet hose
2. Select cable	7. Select lever pin : Apply lithium grease 99000-25010 to all around pin (0.15 g)	12. Clamp
3. Cable bracket	8. Adjuster case	(a) : 23 N·m (2.0 kgf·m, 17.0 lb-ft)
4. Manual select lever	9. Lock	(b) : 6.5 N·m (0.65 kgf·m, 5.0 lb-ft)
5. Clip	10. EPS control module (EPS model)	(c) : 12 N·m (1.2 kgf·m, 8.0 lb-ft)

Select Cable Removal and Installation

S6RW0C5106011

Removal

- 1) Remove parking brake lever cover.
- 2) Remove console box.
- 3) Disconnect select cable from select lever and then detach from bracket.
- 4) Remove clip and disconnect select cable from manual shift.
- 5) Remove select cable retainer from dash panel.

Installation

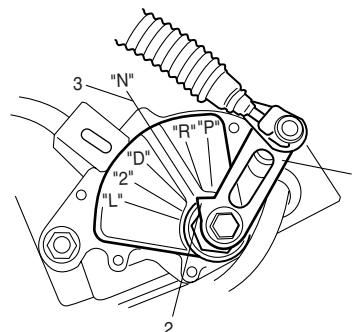
Install select cable by reversing removal procedure. The important steps in installation are as follows.

- Apply grease to pin and cable joint.
- Tighten bolts to specified torque referring to "Select Cable Components".
- Adjust select cable referring to "Select Cable Adjustment".

Select Cable Adjustment

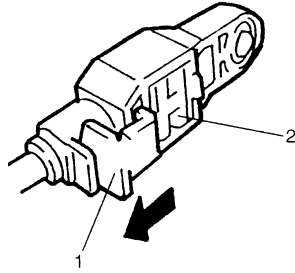
S6RW0C5106012

- 1) Remove adjuster (cable end) from select lever pin of select lever assembly.
- 2) Shift manual shift lever (1) to "N" range (transmission range sensor "N" range) aligning arrow (2) of lever (1) with "N" reference line (3).



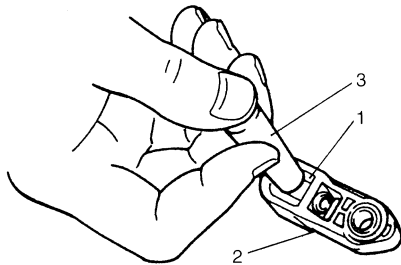
I4RH01510025-01

- 3) Release lock plate (1) which restricts moving of cable end holder (2).



I2RH01510046-01

- 4) Push cable end holder (1) out from eye-end (2) using an appropriate tool (3) to disengage cable.

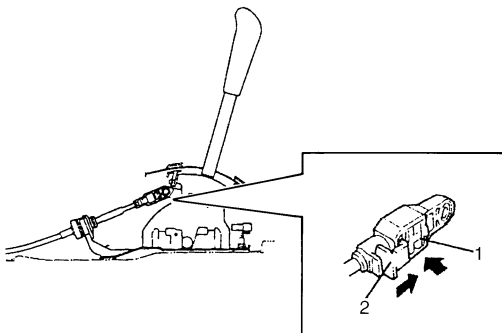


I2RH01510047-01

- 5) Shift select lever to "N" position.
- 6) Apply grease to select lever pin and install adjuster (cable end) to it.

: Grease 99000-25010 (SUZUKI Super Grease A)

- 7) With both select lever and transmission range sensor kept each "N" position, drive cable end holder (1) in until it locks cable.
- 8) Slide lock plate (2) to secure cable end holder in position.



I3RM0B510037-01

- 9) After select cable was installed, check for the following.
 - Push vehicle with select lever shifted to "P" range. Vehicle should not move.
 - Vehicle can not be driven in "N" range.
 - Vehicle can be driven in "D", "3", "2" and "L" ranges.
 - Vehicle can be backed in "R" range.

Key Interlock Cable Removal and Installation

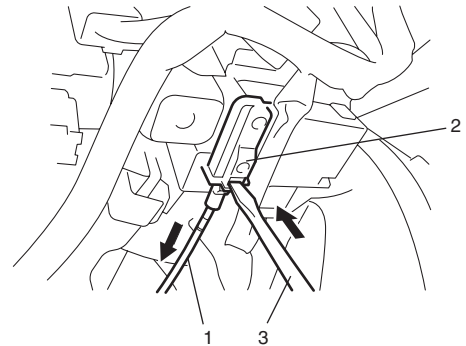
S6RW0C5106013

NOTE

Don't bend interlock cable excessively when removing and installing it, or system will not operate correctly.

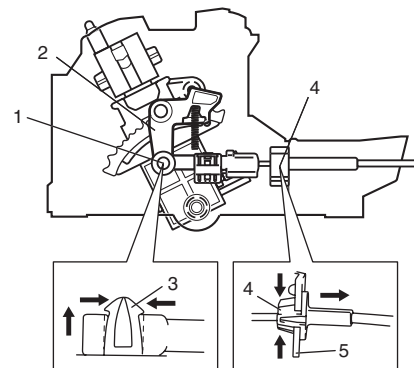
Removal

- 1) If the vehicle is equipped with air bag system, disconnect negative cable at battery and disable air bag system, referring to "Disabling Air Bag System in Section 8B".
- 2) Remove steering column cover.
- 3) Turn ignition switch to ACC position.
- 4) Pull out key interlock cable (1) from key cylinder cover (2) while pressing checkhook with slotted screwdriver (3) or the like.



I5RW0C510045-01

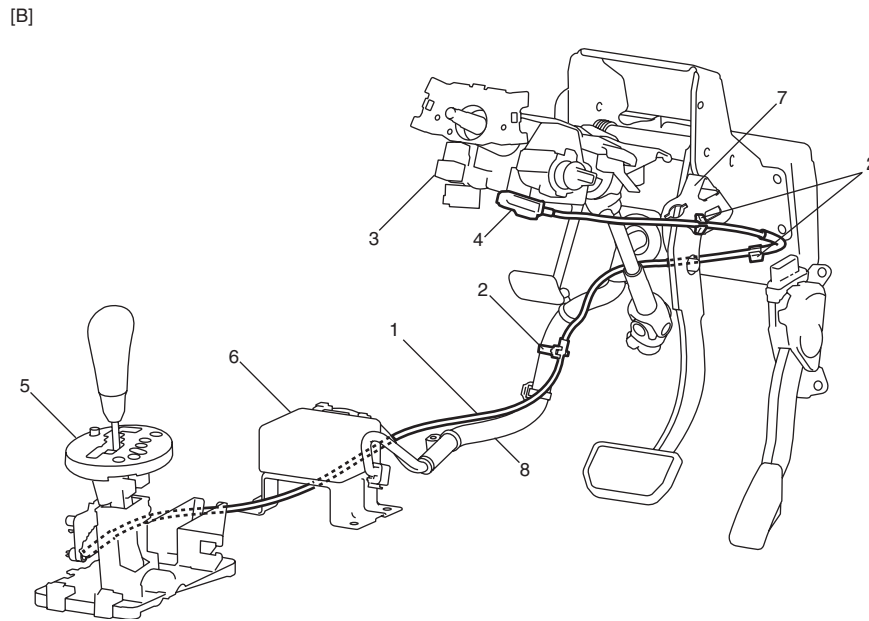
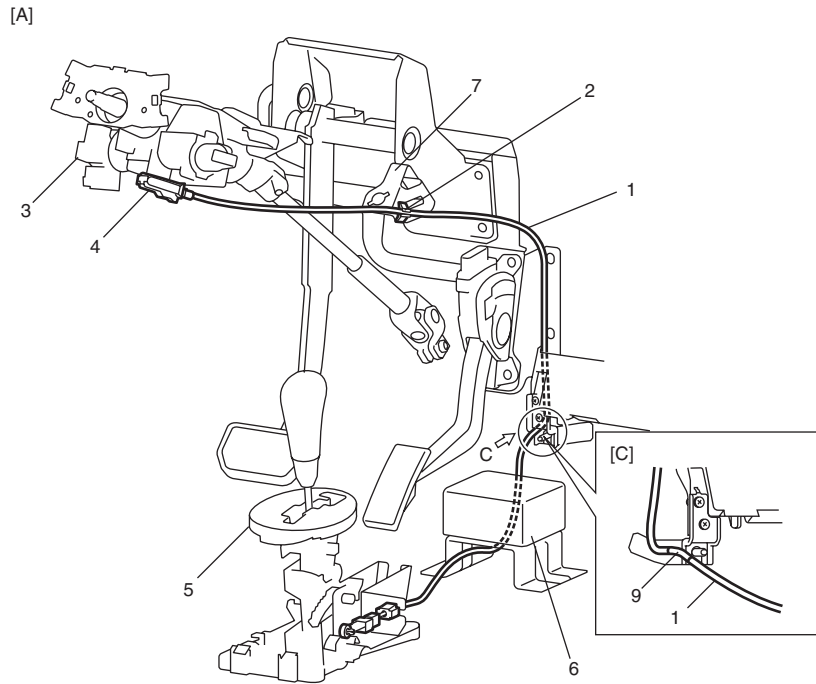
- 5) Turn ignition switch to LOCK position.
- 6) Remove console box referring to "Console Box Components in Section 9H".
- 7) Detach cable end (1) from interlock cam (2) while pressing claws (3) of interlock cam boss. At this time, be careful not to cause damage to its claws. Detach cable casing cap (4) from bracket (5) while pressing checkhook.
- 8) Remove interlock cable.



I5RW0C510046-01

Installation

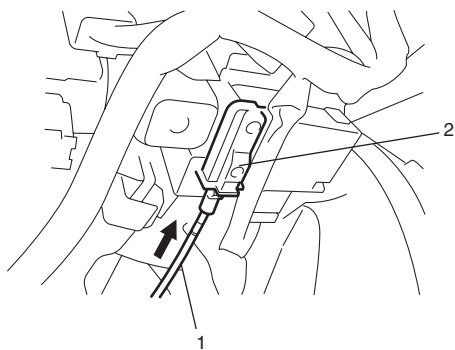
1) Lay interlock cable to its original cabling route.



I5RW0C510073-01

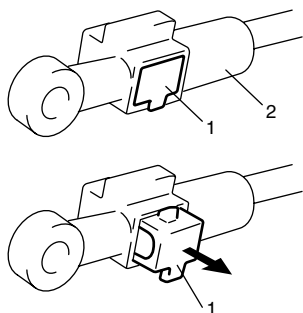
[A]: LH steering vehicle	2. Clamp	6. EPS control module
[B]: RH steering vehicle	3. Steering lock assembly / Steering lock unit (if equipped with keyless start system)	7. Brake switch bracket
[C]: View C	4. key cylinder cover	8. Wiring harness
1. Key interlock	5. Select lever assembly	9. Marking

- 2) Turn ignition switch to ACC position.
- 3) Insert cable casing cap (1) into key cylinder cover (2) securely.



I5RW0C510047-01

- 4) Pull out lock button (1) of select lever side cable end (2).



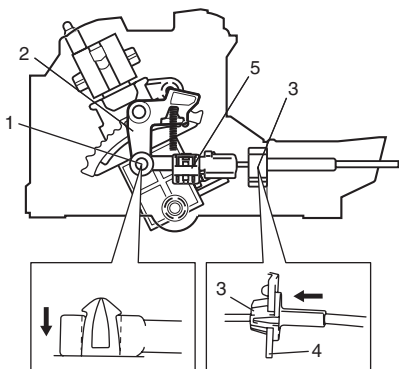
I2RH01510086-01

- 5) Shift select lever to "N" position.

NOTE

If select lever is in "P" position, shift select lever referring to "Select Lever Inspection".

- 6) Install cable casing cap (3) to bracket (4).
- 7) Connect cable end (1) to interlock cam (2) with ignition switch turned to ACC position.
- 8) Drive lock button (5) in cable end until it locks cable expansion and contraction.



I5RW0C510048-01

- 9) With select lever set at "P" position, turn ignition key to ACC position and then check for the following conditions.

- With knob button released, ignition key can be turned from ACC position to LOCK position.
- With knob button pressed, ignition key cannot be turned from ACC position to LOCK position.

- 10) Install knee protector to steering column.

- 11) Install steering column cover.

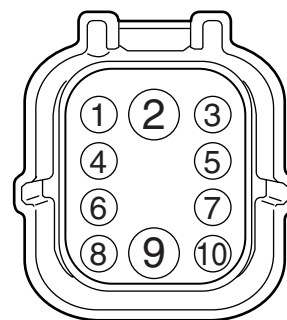
- 12) If the vehicle is equipped with air bag system, connect negative cable at battery and enable air bag system, referring to "Enabling Air Bag System in Section 8B".

Transmission Range Sensor Inspection and Adjustment

S6RW0C5106071

Inspection

- 1) Disconnect transmission range sensor connector (1).
- 2) Check that continuity exists at terminals as shown in the following figure by moving select lever. If check result is not as specified, adjust switch.



		Terminal No.										
		1	2	3	4	5	6	7	8	9	10	
Sensor Position	P	○	○								○	○
	R				○							○
	N		○				○				○	○
	D									○		○
	2			○								○
	L					○						○

I5RH01510007-01

Adjustment

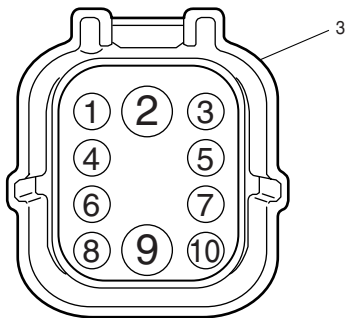
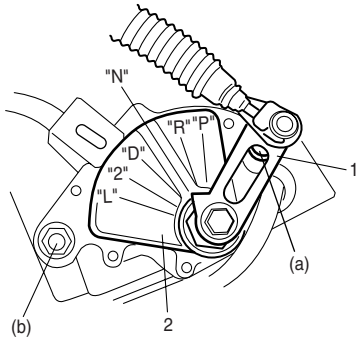
- 1) Shift manual shift lever (1) to "N" range.
- 2) Connect ohmmeter between 6 and 10 terminals of disconnected transmission range sensor connector (3).
- 3) Turn transmission range sensor (2) gradually to find position where ohmmeter reading indicates continuity. Then fix transmission range sensor (2) at that position by tightening bolts and nut to specified torque.

Tightening torque

Transmission range sensor bolt (a): 25 N·m (2.5 kgf-m, 18.0 lb-ft)

Transmission range sensor nut (b): 7.5 N·m (0.75 kgf-m, 5.5 lb-ft)

- 4) Connect transmission range sensor connector (3).
- 5) Check that engine starts in "N" and "P" ranges but it doesn't start in "D", "3", "2", "L" or "R" range. Also, check that back-up light turn ON in "R" range.



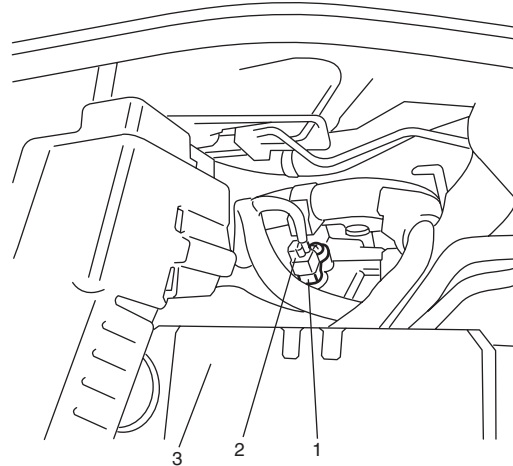
I5RH01510008-01

Output Shaft Speed Sensor Removal and Installation

S6RW0C5106015

Removal

- 1) Disconnect negative cable at battery.
- 2) Disconnect output shaft speed sensor connector (2).
- 3) Remove output shaft speed sensor (1) by removing its bolt.



I7RW01510035-01

3. Battery

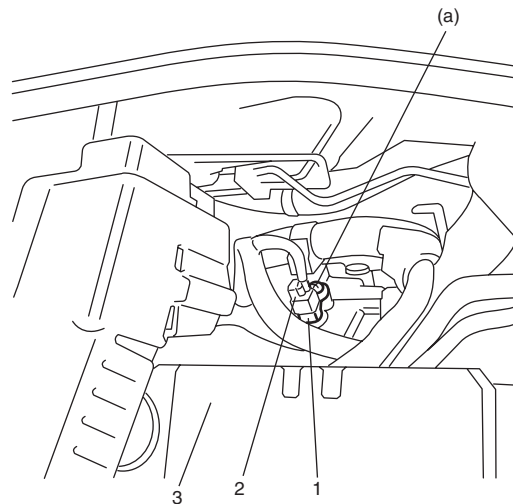
Installation

- 1) Apply A/T fluid to new output shaft speed sensor O-ring.
- 2) Install output shaft speed sensor (1) to A/T case and tighten bolt to specified torque.

Tightening torque

Output shaft speed sensor bolt (a): 5.5 N·m (0.55 kgf-m, 4.0 lb-ft)

- 3) Connect output shaft speed sensor connector (2) to output shaft speed sensor (1).



I7RW01510036-01

3. Battery

- 4) Connect negative cable to battery.